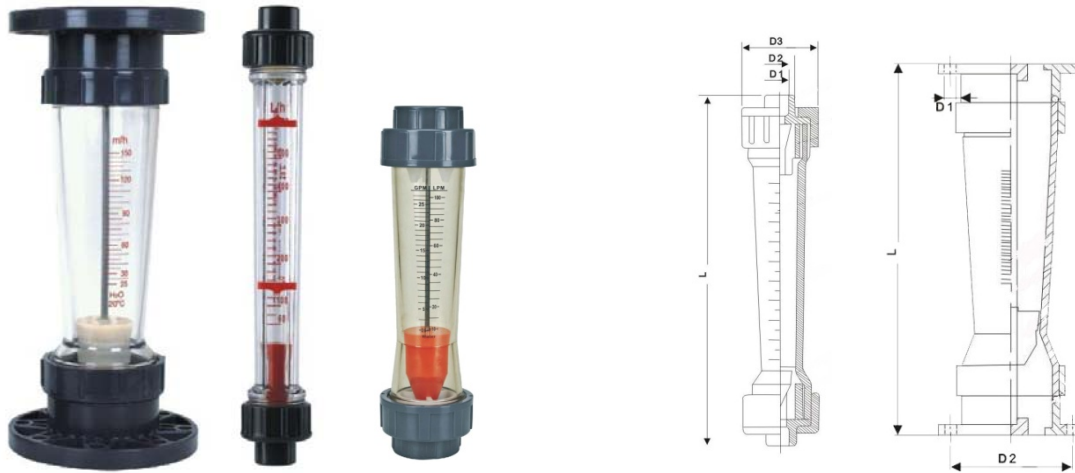


LZS Durable Plastic Tube Flow Meters



Dimensions (mm)

Model	Diameter (DN) mm	Measuring Range		Short Tube				Long Tube			
		Short Tube	Long Tube	L	D1	D2	D3	L	D1	D2	D3
LZS-15	15	5 - 50 l/h	10 - 100 l/h	202	20	26	45	280	20	26	45
		10 - 100 l/h	16 - 160 l/h								
		16 - 160 l/h	25 - 250 l/h								
		25 - 250 l/h	40 - 400 l/h								
		40 - 400 l/h	60 - 600 l/h								
		50 - 500 l/h									
		60 - 600 l/h									
100 - 1000 l/h											
LZS-25	25	100 - 1000 l/h	100 - 1000 l/h	226	32	39	60	380	32	39	68
		160 - 1600 l/h	160 - 1600 l/h								
		250 - 2500 l/h	250 - 2500 l/h								
LZS-32	32	0.4-4 m ³ /h		288	40	49.5	74				
		0.6-6 m ³ /h									
LZS-50	50	1-10 m ³ /h	0.4-4 m ³ /h	341	63	73	98	430	63	73	98
		1.6-16 m ³ /h	0.6-6 m ³ /h								
LZS-65	65	2.5-16 m ³ /h		430	75	88	122				
		5-25 m ³ /h									
		8-40 m ³ /h									
		12-60 m ³ /h									
LZS-100	100	14-90 m ³ /h		550	17	175					
LZS-125	125	20-150 m ³ /h		550	17	205					
LZS-150	150	25-180 m ³ /h		550	21	240					
		14-90 m ³ /h									
		18-120 m ³ /h									
		20-150 m ³ /h									
LZS-150	150	25-180 m ³ /h		550	21	240					
		25-200 m ³ /h									